

# STERLING®

A KOHLER COMPANY

LAWSON™

## Features

- Compression molded from our exclusive solid Vikrell® material
- Pump with air switch and grounding-type plug-in cord
- Durable high-gloss finish
- 10-year consumer/3-year commercial limited warranty
- 1-year limited warranty pump motor assembly
- Optional heater available (-H models)
- Six jets with independent variable control
- Optional attached apron 76268100
- 60-1/4" (1530 mm) x 36" (914 mm) x 20-5/16" (516 mm) unit rough-in dimension include nailing flange
- 60" (1524 mm) x 36" (914 mm) x 20-5/16" (516 mm) complete unit finished dimensions

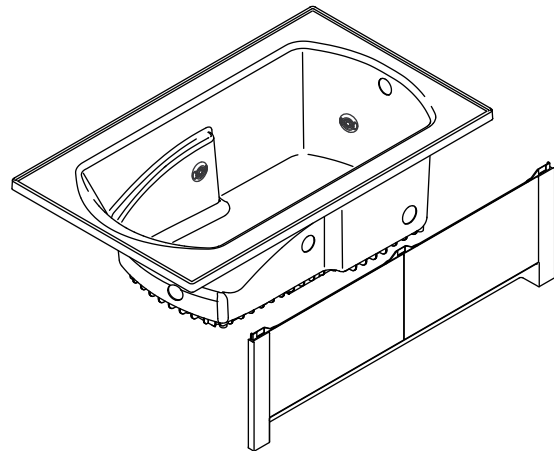
## Codes/Standards Applicable

Specified model meets or exceeds the following:

- ASTM E162
- ASTM E662
- CSA C22.2 No 218.2
- CSA B45.5/IAPMO Z124
- ASME A112.19.7/CSA B45.10

## 36" (914 mm) DROP-IN WHIRLPOOL BATH

**76271110**  
ALSO 76271120



## Colors/Finishes

- 0: White
- Other: Refer to Price Book for additional colors/finishes

## Specified Model

Model	Description	Colors/Finishes	
76271110	36" (914 mm) x 60" (1524 mm) drop-in whirlpool bath, left-hand drain	<input type="checkbox"/> 0	<input type="checkbox"/> Other _____
76271110-H	36" (914 mm) x 60" (1524 mm) drop-in whirlpool bath with heater, left-hand drain	<input type="checkbox"/> 0	<input type="checkbox"/> Other _____
76271120	36" (914 mm) x 60" (1524 mm) drop-in whirlpool bath, right-hand drain	<input type="checkbox"/> 0	<input type="checkbox"/> Other _____
76271120-H	36" (914 mm) x 60" (1524 mm) drop-in whirlpool bath with heater, right-hand drain	<input type="checkbox"/> 0	<input type="checkbox"/> Other _____

## Technical Information

Fixture*:	
Basin area:	
Bathing well	44" (1118 mm) x 25-1/2" (648 mm)
Top area	51" (1295 mm) x 26-3/4" (679 mm)
To overflow:	
Water depth	15-1/4" (387 mm)
Capacity	59 gal (223.3 L)
* Approximate measurements for comparison only.	

Pump:	V	Hz	A
1-speed	120	60	7

## Required Electrical Service

Dedicated circuit required, protected with Class A Ground-Fault Circuit-Interrupter (GFCI):	
Pump	120 V, 15 A, 60 Hz

## Installation Notes

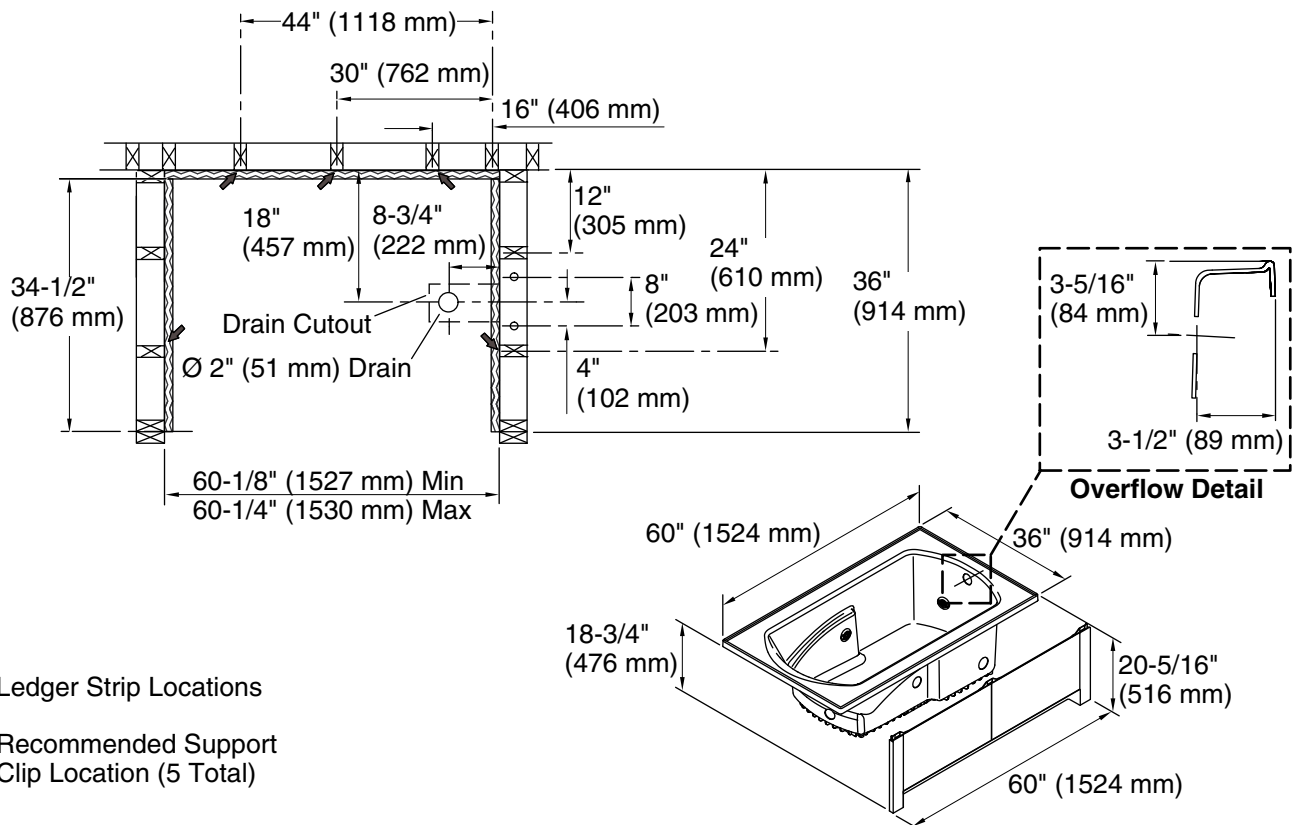
Install this product according to the installation guide.

Pump is supplied with a grounding-type plug-in cord. Locate the outlet within 24" (610 mm) of the pump.


Pump service access is required.

Size the drain cutout to fit the drain assembly that will be used.

Studs should be positioned roughly as shown.



 Ledger Strip Locations

 Recommended Support Clip Location (5 Total)

## Product Diagram