

STERLING®

A KOHLER COMPANY

FINESSE™

Features

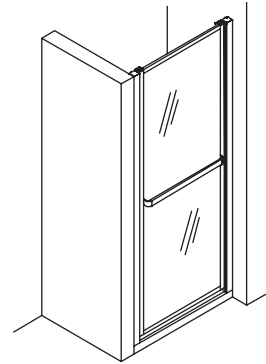
- Designer handle/towel bar increases usability
- Aluminum components extruded from alloy 6063-T5
- Stainless steel hardware prevents rusting or corrosion
- All installation hardware included (tools not included)
- Adjust for out of plumb walls up to 3/4" (2 cm) by simply turning the adjustment block screw
- No top track allows easy access into the shower
- A concealed hinge provides smooth, stable operation
- 5/32" (4 mm) thick tempered glass ensures maximum safety and durability

Codes/Standards Applicable

Specified model meets or exceeds the following:

- ANSI Z97.1 (tempered glass)
- 16 CFR Part 1201

FRAMED HINGE SHOWER DOOR 6500 Series

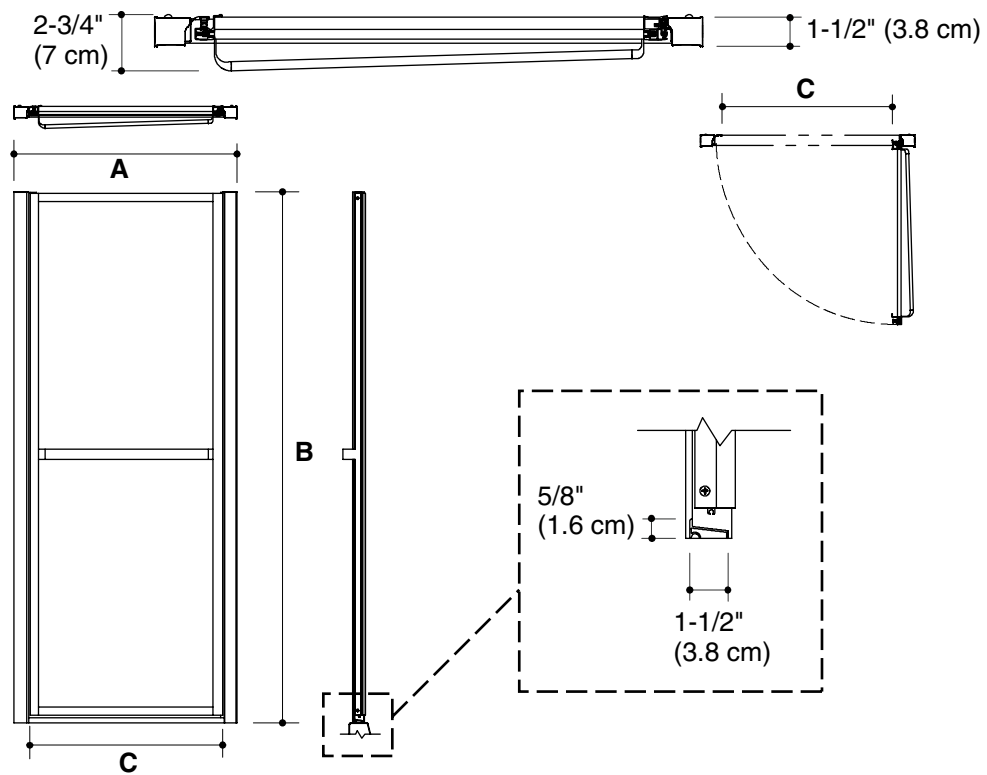


Colors/Finishes

- Refer to the Price Book for current frame finish and glass options

Specified Model

Model	A (Width Max/Min)*	B (Height)*	C (Walk Through Max)*
6505-30**	30-1/2" (77.5 cm) / 27-1/2" (69.9 cm)	65-1/2" (166.4 cm)	21-11/16" (55.1 cm)
6505-33**	33-1/2" (85.1 cm) / 30-1/2" (77.5 cm)	65-1/2" (166.4 cm)	24-11/16" (62.7 cm)
6505-36**	36" (91.4 cm) / 33" (85.1 cm)	65-1/2" (166.4 cm)	27-3/16" (69.1 cm)
6505-39**	39-1/2" (100.3 cm) / 36-1/2" (92.7 cm)	65-1/2" (166.4 cm)	30-11/16" (77.9 cm)
6506-30**	30-1/2" (77.5 cm) / 27-1/2" (69.9 cm)	65-1/2" (166.4 cm)	21-11/16" (55.1 cm)
6506-33**	33-1/2" (85.1 cm) / 30-1/2" (77.5 cm)	65-1/2" (166.4 cm)	24-11/16" (62.7 cm)
6506-36**	36" (91.4 cm) / 33" (85.1 cm)	65-1/2" (166.4 cm)	27-3/16" (69.1 cm)
6506-39**	39-1/2" (100.3 cm) / 36-1/2" (92.7 cm)	65-1/2" (166.4 cm)	30-11/16" (77.9 cm)
Note: Minimum Width = A - [1-1/2" (3.8 cm)]			
* Note: Consult the diagram on the next page for the location of the measurements.			
** Note: Add appropriate frame color/finish code to the end of the unit model # when ordering.			



Product Diagram