

STERLING®

A KOHLER COMPANY

Features

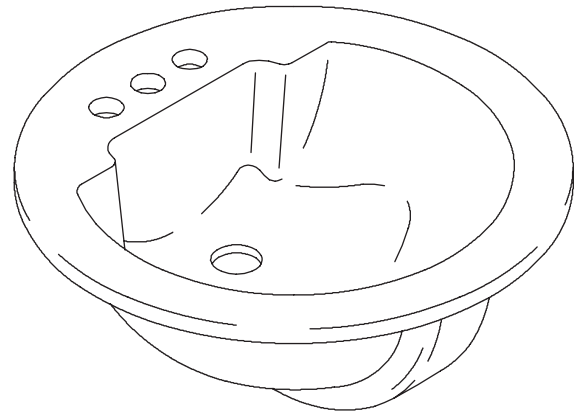
- Durable high-gloss or swirl-gloss finish
- 10-year consumer/3-year commercial limited warranty
- Self-rimming design
- 19" (48.3 cm) x 19" (48.3 cm) x 7-5/8" (19.4 cm)
- Compression molded from our exclusive solid Vikrell® material
- 4" (10.2 cm) on center, faucet mounting holes

Codes/Standards Applicable

Specified model meets or exceeds the following:

- IAPMO/UPC
- ANSI Z124.3
- ASTM E84
- HUD, UM Bulletin 73A
- NAHB Research Foundation, Inc.

ROUND LAVATORY
75020140
ALSO 65020140



Colors/Finishes

- 0: White
- Other: Refer to Price Book for additional colors/finishes

Accessories:

- NA: None applicable

Specified Model

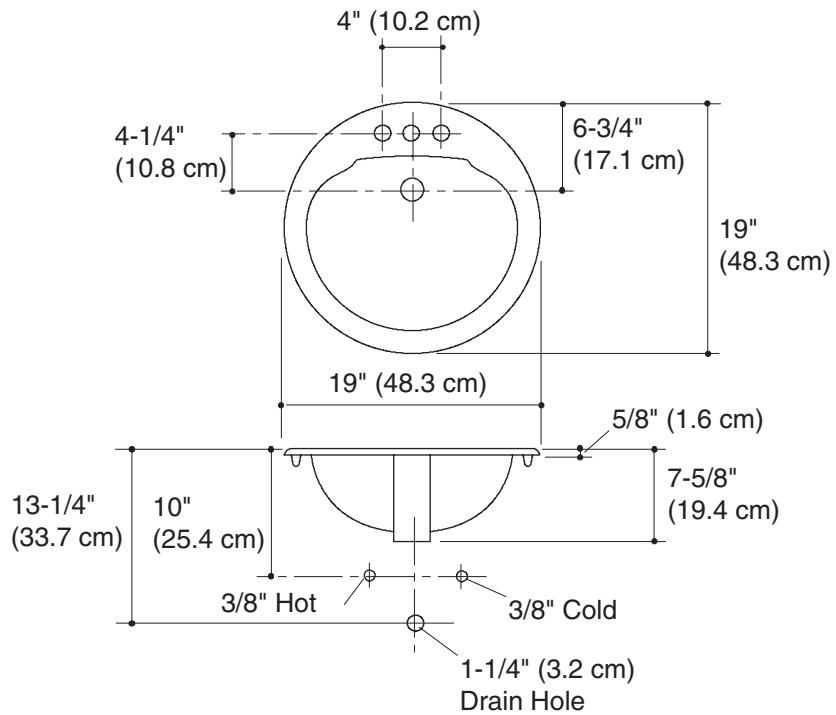
| Model | Description | Quantity | Colors/Finishes | |
|------------|--|----------|----------------------------|--------------------------------------|
| 75020140-* | High-gloss lavatory basin, 4" (10.2 cm) centers | 1 | <input type="checkbox"/> 0 | <input type="checkbox"/> Other _____ |
| 65020140-* | Swirl-gloss lavatory basin, 4" (10.2 cm) centers | 1 | <input type="checkbox"/> 0 | <input type="checkbox"/> Other _____ |
| 65020640-* | Swirl-gloss lavatory basin, 4" (10.2 cm) centers | 6 | <input type="checkbox"/> 0 | <input type="checkbox"/> Other _____ |

*Note: Add appropriate color/finish code to the end of the unit model # when ordering

Technical Information

| | | |
|---|--|------------------|
| Fixture*: | basin area | water depth |
| Lavatory | 14-1/2" (36.8 cm) x 12-1/2" (31.8 cm) | 4-7/8" (12.4 cm) |
| * Approximate measurements for comparison only. | | |

| | | |
|------------|--------------------|--------------------|
| Holes | 75020140 | 65020140 |
| Spout | 1-3/16" (3 cm) D. | 1-3/16" (3 cm) D. |
| Faucet | 1-3/16" (3 cm) D. | 1-3/16" (3 cm) D. |
| Drain | 1-3/4" (4.4 cm) D. | 1-3/4" (4.4 cm) D. |
| Drain hole | 1-1/4" (3.2 cm) D. | 1-1/4" (3.2 cm) D. |



Product Diagram