

KAUAI



PULSE

SHOWERS PAS

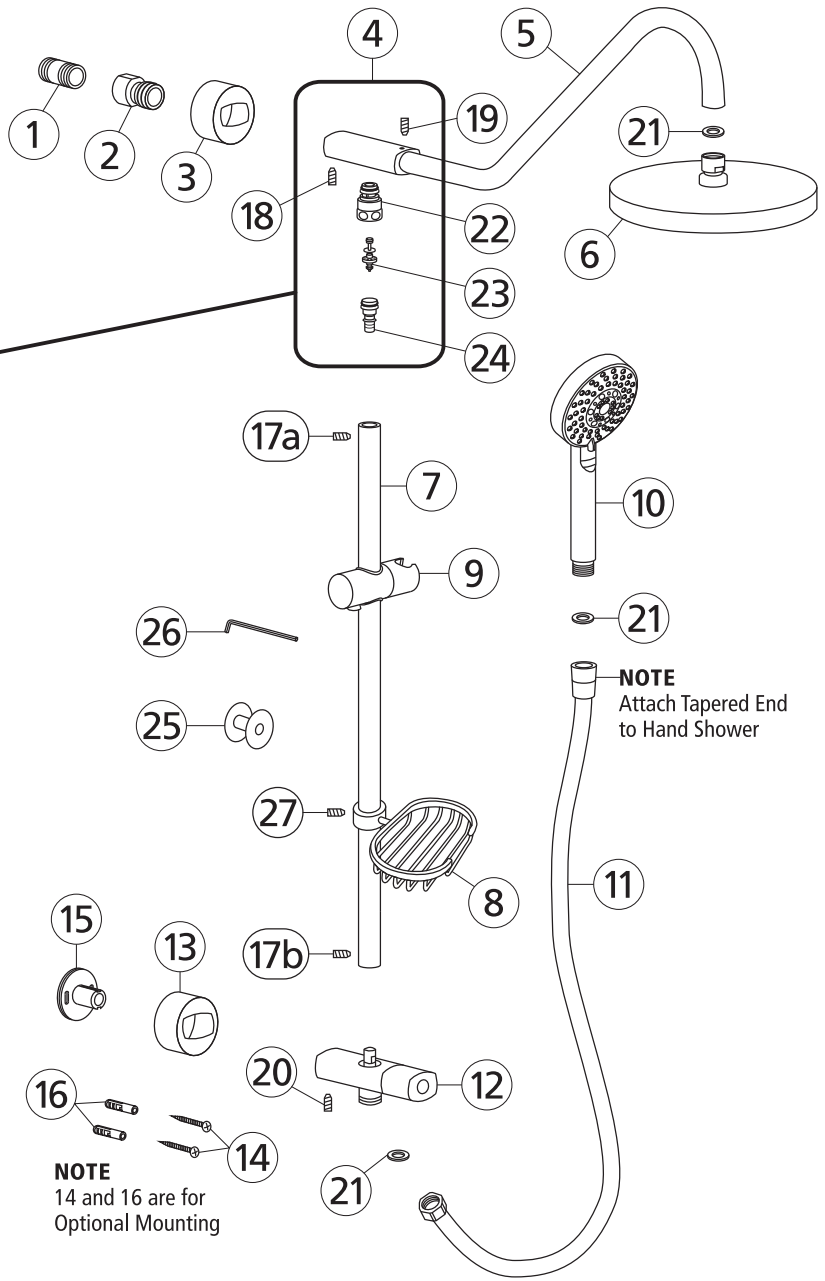
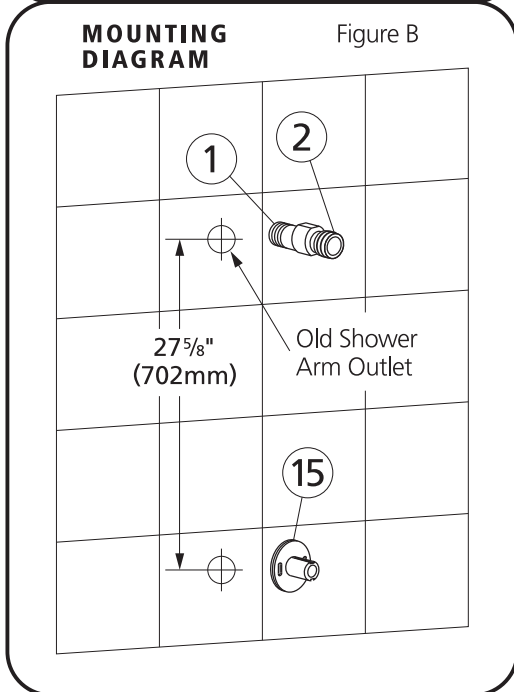
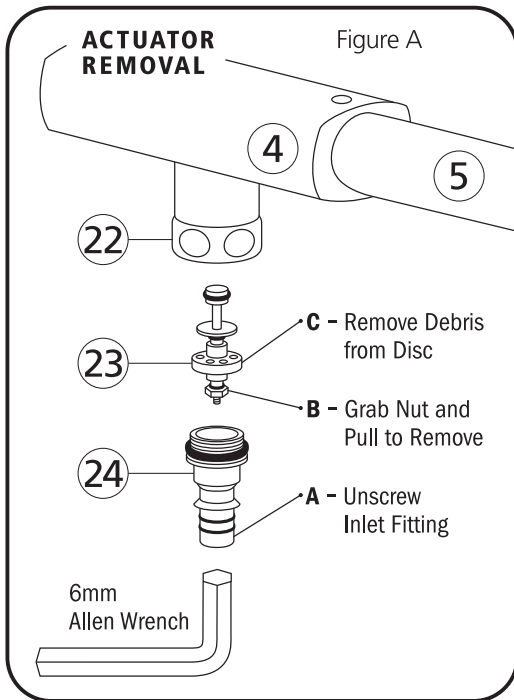
Kauai II Rain Shower System **Model 1011-CH, 1011-BN & 1011-ORB** *Installation Instructions*



Kauai II Parts Legend

- | | | |
|-----------------------|--------------------------------|----------------------------|
| 1. ½" x 2" NPT Nipple | 10. Hand Shower | 19. Set Screw - 4mm |
| 2. Inlet Fitting | 11. Stainless Steel Hose | 20. Set Screw - 8mm |
| 3. Top Escutcheon | 12. Diverter | 21. Rubber Washer(3) |
| 4. Top Tee | 13. Bottom Escutcheon | 22. Actuator Housing |
| 5. Shower Arm | 14. Lower Mount Screw(2) | 23. Actuator |
| 6. Shower Head | 15. Lower Mount (w/ Tape) | 24. Top Brass Fitting |
| 7. Shower Pipe** | 16. Wall Anchor.....(2) | 25. Teflon Tape |
| 8. Soap Dish | 17. Set Screw - 8mm.....(2) | 26. 2.5mm Allen Wrench |
| 9. Hand Shower Hanger | 18. Set Screw - 5mm | 27. Set Screw - 4mm |

****4" SHORTER SHOWER PIPE (7) AVAILABLE BY SPECIAL ORDER**



Installation Instructions

Thank you for choosing the Kauai II Rain Shower System by PULSE ShowerSpas!

The assembly and installation of the Kauai II Rain Shower System is designed to be quick and easy. If you have any installation questions or performance problems, call PULSE Customer Service toll free at 888-785-7320 or visit www.pulshower spas.com for more information.

Please read instructions carefully, become familiar with all parts, installation procedures and tools required. Follow the steps in the order presented to help avoid any mistakes.

FOR NEW CONSTRUCTION OR COMPLETE REMODEL

- A hot/cold mixing valve is required (NOT INCLUDED)
- Nipple should extend $\frac{1}{2}$ " past finished wall surface.

TOOLS REQUIRED

Adjustable wrench, phillips screw driver, pencil

1. Determine the length of brass NPT nipple (1) needed.
 - a. Place mark on existing shower arm at wall surface. Unscrew shower arm from elbow in wall.
 - b. Measure distance from mark on shower arm to end of shower arm threads. Add $\frac{1}{2}$ " to this measurement, and then round to nearest $\frac{1}{2}$ ".

Example 1: If measurement = $1\frac{1}{4}$ ", add $\frac{1}{2}$ " = $1\frac{3}{4}$ ", rounded = 2" NPT nipple—this is the length needed.

Example 2: If measurement = $1\frac{5}{8}$ ", add $\frac{1}{2}$ " = $2\frac{1}{8}$ ", rounded = 2" NPT nipple—this is the length needed.

IMPORTANT—If shower arm is located in wall above tile/fiberglass wall surface you must add the distance from the sheetrock to face of the tile/fiberglass shower wall to the above measurement.

NOTE—If supplied 2" nipple (1) is not the correct length based on above formula, you must obtain the correct size—sold separately. Various length NPT brass nipples are readily available at most hardware stores.

2. Apply generous amount of Teflon® tape (25) to both ends of the nipple (1).
3. Hand tighten inlet fitting (2) onto nipple (1), then nipple to fitting in wall. Use adjustable wrench on the inlet fitting to tighten both connections simultaneously. Continue tightening until both connections are secure with no leaks.

4. Slide hand shower hanger (9) off shower pipe (7). Slide soap dish (8) onto shower pipe to desired position and secure with set screw (27). **CAUTION — DO NOT OVERTIGHTEN**
5. Reinstall hand shower hanger (9) with button pointing up.
6. Insert top tee (4) with shower arm (5) into top of shower pipe (7). Secure with set screw (17a).
7. Slide top escutcheon (3) over top tee (4).
8. Slide bottom escutcheon (13) over diverter (12).
9. Loosen set screw (20) on diverter and slide lower mount (15) into diverter (12).
10. Push top tee (4) over inlet fitting (2) until flush against fitting. Position diverter (12) so shower pipe is plumb (vertical). Mark location of lower mount.
11. Wall surface must be clean of any residue and completely dry. Remove covering of two-face tape and reposition lower mount (15) to mark so the optional mounting holes are horizontal. Apply pressure to mount for 30 seconds by pushing firmly against the diverter. To ensure proper adhesion, allow one hour before using your ShowerSpa and keep area around the mount as dry as possible for the first 24 hours. Tape will be fully cured after 24 hours.

OPTIONAL—Secure lower mount with permanent wall anchors. Mark hole locations in lower mount (15). Drill $1\frac{1}{4}$ " deep holes using 6mm ($\frac{1}{4}$ ") masonry/tile drill bit. Insert wall anchors (16) and secure lower mount with screws (14).
CAUTION — LIVE PLUMBING IN WALL

12. Position shower pipe (7) parallel to wall by sliding diverter (12) on lower mount (15). Secure diverter to lower mount with set screw (20).
13. Insert rubber washer (21) into both ends of hose (11). Connect hex head end to outlet on diverter (12) and tapered end to handheld shower (10). Place handheld shower (10) into adjustable hanger (9).
14. Insert rubber washer (21) in shower head (6) and tighten securely to shower arm (5).

Actuator Cleaning

If the performance of your Shower System weakens over time, follow these steps and refer to Figure A.

1. First remove the top tee/shower arm (4/5) from the shower pipe (7) by loosening set screws (17a) and (18). Pull towards you on the shower arm to separate from the inlet fitting (2), then pull up to remove from the shower pipe.
2. Unscrew the inlet fitting (24) using a 6mm allen wrench—A.
3. Remove the actuator (23) by grabbing the nut and pulling—B.
4. The holes in the disc can become clogged. Use a small tool to clean out any debris and rinse with water—C.
5. Replace the actuator into the housing so the brass nut is facing out and reverse the steps to reattach to wall.

Using Your ShowerSpa

Diverter valve controls the shower head and hand shower function. Turn diverter counterclockwise for hand shower, clockwise for shower head.

Turn face of hand shower to switch settings.

Adjust the hand shower position by depressing the button on the hanger and sliding up or down.

Always turn cold water on first to help prevent any accidental burning or scalding; especially for children and elderly.

Silicone tips on the shower head and handheld shower provide “Rub Clean” technology. During operation, rub the tips to break up any mineral deposits ensuring “Spray-Straight” performance.

DO NOT use any part of the Kauai II Rain Shower System as a support device.

Care and Maintenance

To keep your ShowerSpa looking new, wipe down after each use with a soft cotton cloth.

Protect your ShowerSpa from hard water stains and mineral deposits by periodically using an auto spray wax.

Clean using mild liquid soap and a non-abrasive sponge or cloth. Rinse with clean water.

If the flow rate of your ShowerSpa is less than expected, reduces over time or functions are not completely independent, the actuator can be removed to clean sediment. Please refer to the instructions on page 3 or Call Tech Support at 1-888-785-7320 and we will be happy to assist you.

***Do Not Use Any Kind Of
Chemicals Or Abrasives.***

Manufacturer's Limited Warranty

PULSE Shower Spas, Inc. warrants that all ShowerSpas are free from defect in workmanship and/or materials for a period of three years from the date of purchase. This warranty extends to the original purchaser only and is non-transferable.

This warranty does not cover, and PULSE ShowerSpas will not pay for conditions, malfunctions or damages resulting from (1) normal wear and tear, improper installation (whether performed by a contractor, service company or the consumer), improper maintenance, misuse, abuse, negligence, accident or alteration; (2) the use of abrasive, caustic or “no-rinse” cleaning agents; (3) the use of the product in any manner contrary to the product instruction; (4) conditions in the home such as excessive water pressure or corrosion.

Should any ShowerSpa be determined by PULSE ShowerSpas, Inc. to be defective in normal residential use, at the option of PULSE ShowerSpas, Inc., such product shall either be replaced or repaired and returned to the customer free of defects. The consumer shall give notice of any defects to PULSE ShowerSpas, Inc. within thirty days of discovery of such defect.

Proof of purchase (original sales receipt) must be provided to PULSE Shower Spas, Inc. with all warranty claims. PULSE ShowerSpas, Inc. is not responsible for labor charges, removal charges, installation or other consequential costs. In no event shall the liability of PULSE ShowerSpas, Inc. exceed the purchase price of the ShowerSpa.

Some states/provinces do not allow limitations of how long an implied warranty lasts or the exclusion or limitation of such damages, so these limitations and exclusions may not apply to you. This warranty gives the consumer specific legal rights. You may also have other rights that vary by state/province.

Follow manufacturers recommended installation. Use caution with children under ten years of age. Do not use your ShowerSpa as a support device. Do not use harsh chemicals or abrasives when cleaning. Always turn water supply off when servicing your ShowerSpa.

PULSE

SHOWERSPAS

Pulse ShowerSpas, Inc. ~ 49 Hangar Way Suite A ~ Watsonville, CA 95076 ~ 888.785.7320
info@pulseshowerspas.com ~ www.pulseshowerspas.com ~ support@pulseshowerspas.com