



Manufacturer's Limited Warranty

PULSE Shower Spas, Inc. warrants that all ShowerSpas are free from defect in workmanship and/or materials for a period of three years from the date of purchase. This warranty extends to the original purchaser only and is non-transferable.

This warranty does not cover, and PULSE Showerspases will not pay for conditions, malfunctions or damages resulting from (1) normal wear and tear, improper installation, whether performed by a contractor, service company or the consumer, improper maintenance, misuse, abuse, negligence, accident or alteration; (2) the use of abrasive and/or caustic cleaning agents or "no-rinse" cleaning products or the use of the product in any manner contrary to the product instruction; or (3) conditions in the home such as excessive water pressure or corrosion.

Should any ShowerSpa be determined by PULSE Showerspases, Inc. to be defective in normal residential use, at the option of PULSE Showerspases, Inc., such product shall either be replaced or repaired and returned to the customer free of defects. The consumer shall give notice of any defects to PULSE Showerspases, Inc. within thirty days of discovery of such defect.

Proof of purchase (original sales receipt) must be provided to PULSE Shower Spas, Inc. with all warranty claims. PULSE Shower Spas, Inc. is not responsible for labor charges, removal charges, installation or other consequential costs. In no event shall the liability of PULSE Showerspases, Inc. exceed the purchase price of the ShowerSpa. Some states/provinces do not allow limitations of how long an implied warranty lasts or the exclusion or limitation of such damages, so these limitations and exclusions may not apply to you. This warranty gives the consumer specific legal rights. You may also have other rights that vary from state/province to state/province.

Follow manufacturers recommended installation. Use caution with children under ten years of age. Do not use ShowerSpa as a support device. Do not use harsh chemicals or abrasives when cleaning. Turn water supply off when servicing ShowerSpa.

PULSE Showerspases, Inc. ♦ 49 Hangar Way Suite A ♦ Watsonville, CA 95076 ♦ 888.785.7320
email:info@pulseshower spas.com ♦ website: www.pulseshower spas.com



PULSE

SHOWERSPAS

Leilani ShowerSpa

Installation Instructions

Model #1022



Leilani Model # 1022

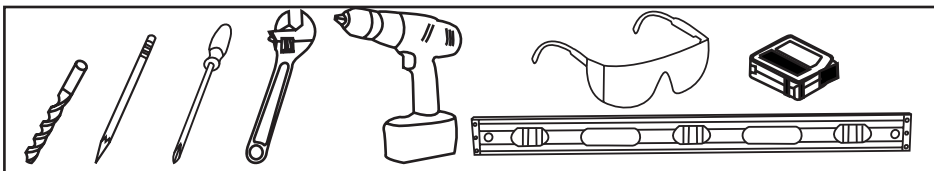
PLEASE READ THE FOLLOWING INSTRUCTIONS COMPLETELY BEFORE BEGINNING!

Our goal is to ensure your installation goes smoothly and safely. Please read these safety instructions carefully and follow recommendations for plumbing and mounting. **If, after reading instruction manual, you determine you do not have the necessary skills and/or tools, we then recommend a licensed plumbing contractor complete the installation.**

If you encounter any problems during installation call Technical Support toll free at 888-785-7320 before returning item to store.

You will need the following tools:

Level	Tape Measure
Soft pencil or felt pen to mark tile	Drill (Preferably cordless)
A Reciprocating Saw w/metal cutting blade (Sawzall®)	Channel Locks or adjustable wrench
¼" Masonry Drill Bit	



SHOWERSPA ASSEMBLY

After unpacking your ShowerSpa, some assembly is required prior to installation.

Slide Bar assembly: Refer to exploded line drawing and actual photo for reference.

1. With slide bar (part#3) in hand, position bracket (part #5) with screw hole pointing left. Push cap (part #6) into slide bar until securely in place.
2. Insert bracket (part #5) into top slot of slide bar making sure top and bottom bracket face the same direction and secure the top slide bar cap into place.
3. Align the assembled slide bar with pre-drilled holes located on right side of unit and secure with provided machine screws and washers.

After the unit is mounted to the wall:

1. Insert washer (part #14) into hexagon shaped end of hand shower hose (part #10) and attach to threaded outlet on bottom of ShowerSpa. (do not over-tighten.)
2. Insert washer (part #14) into tapered end of hand shower hose and attach to hand shower (part #7). Insert hand shower into holder on slide bar.

Note: To adjust angle of hand shower gently rotate toward you or toward the wall. For vertical adjustment simply depress the button and slide holder up or down.

3. Insert black washer (part #13) in Shower head and screw shower head onto the adjustable shower arm. Note : To re-position shower arm loosen wing nuts and move to desired position then re-tighten wing nuts.

3. Remove handle(s) and trim cover(s) of your existing valve exposing valve body in wall.
4. Locate hot and cold supply lines entering valve. Using a reciprocating saw with sharp metal saw blade, cut existing valve out, preserving threads of the supply lines entering valve. (**Note:** you should also cut the riser within wall supplying existing shower head.) Carefully twist and remove valve.
5. Unscrew old shower head from arm and then unscrew arm.
6. It is recommended to extend water supply lines outside wall cavity parallel to finished wall surface. Attach a male threaded fitting to each supply line, maintaining ¼"- ½" space between male threaded fittings and finished wall. The open end of male fitting should point down³.
7. Make certain location (height/width) of stub-outs and connecting to them does **not** interfere with desired mounting height of ShowerSpa.
8. Mark location of holes for mounting bracket making sure bracket is level. For a person 5'8" – 6'2" tall, we recommend 54½" from finished floor height⁴. Before drilling holes for bracket, make certain ShowerSpa will rest flat against finished wall surface at desired mounting height with supply lines connected.
9. Drill ¼" holes through wall surface using a masonry bit. Drill slowly through wall surface to avoid cracking and chipping. Insert anchors and securely screw bracket to wall. Before connecting hot and cold supply lines, mount ShowerSpa on wall, checking height, and making sure ShowerSpa feels secure.
10. Connect hot and cold water supply lines to male threaded pipe, do not over-tighten. Before you mount ShowerSpa, check fittings to make sure they are secure. Turn on water and check for leaks. When fittings are leak-free mount ShowerSpa on wall.
11. **Optional:** Seal around body of ShowerSpa with a bead of silicone. **DO NOT SEAL BOTTOM.**

³ Additional fittings may be necessary depending on your specific situation.

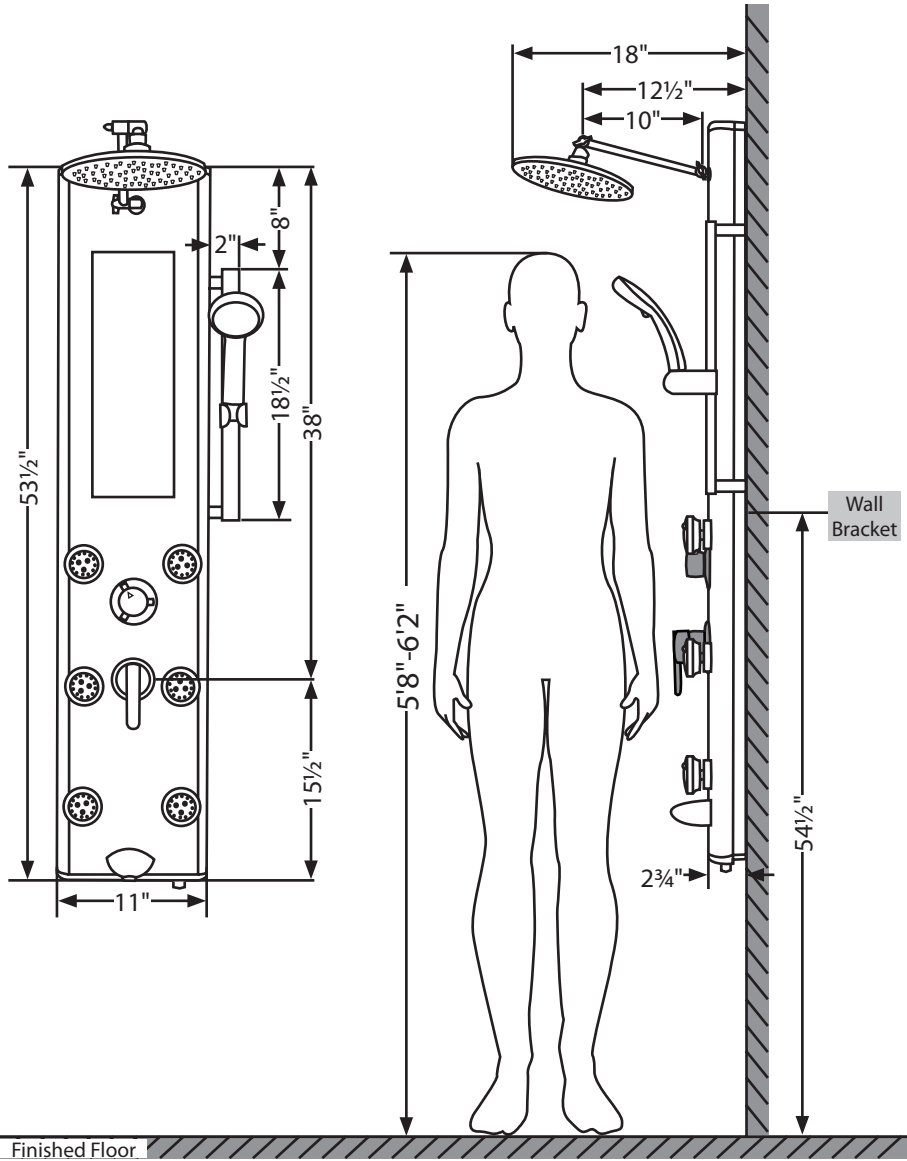
⁴ This height can vary depending on several factors (i.e. location of supply lines, old valve access area, personal preference, etc.)

CARE AND MAINTENANCE

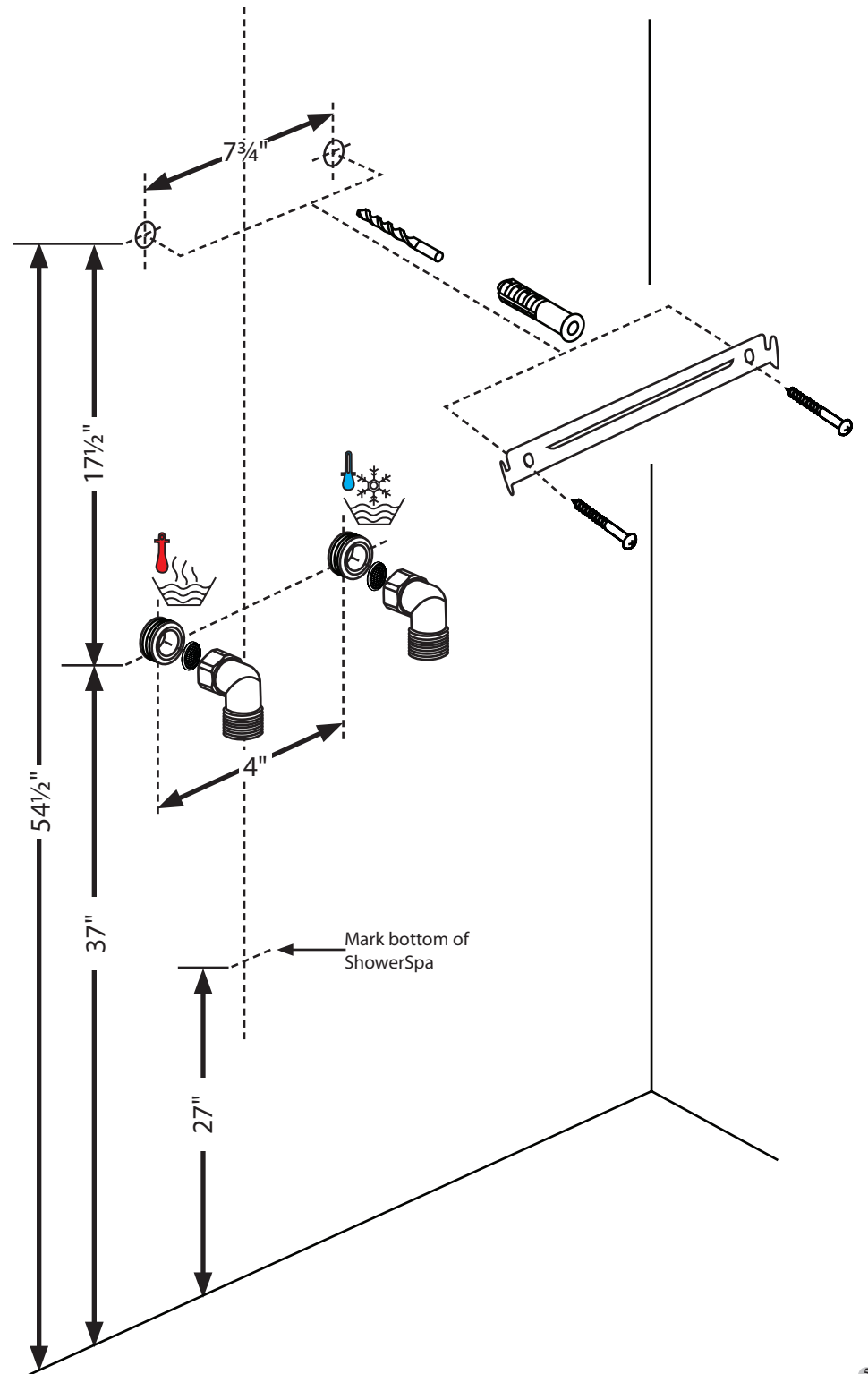
Always blot dry any water from the surface of your ShowerSpa. To help protect your ShowerSpa from hard water stains and mineral deposits, use an auto spray wax periodically and wipe down your ShowerSpa after each use. Allowing water to evaporate on the surface can lead to a build up of mineral deposits. Cleaning with a damp, nonabrasive sponge and drying with a clean soft cloth should help keep your ShowerSpa looking beautiful.

REMEMBER:

Never use abrasives or harsh cleaners!!! Soap and water does the trick! To keep your ShowerSpa in pristine condition, dry after each use.



Dimensions



New Construction/Extensive Remodel "New Finished Wall Surface"

1. Prior to sheetrock, stub-out ½" hot and cold supply lines beyond finished wall surface, 4" on center. The height of the Stub-outs is completely dependent upon desired mounting height of Leilani ShowerSpa. For a person 5'8" – 6'2" we recommend the stub-outs be 37" from finished floor.¹
2. After finished wall surface has been completed, make certain water is completely turned off to both hot & cold supply lines of Shower. Connect 90° male threaded fittings to stub-outs maintaining ¼" – ½" space between fitting and finished wall. The open end of threaded male fitting should point down.
3. Mark location of holes for mounting bracket making sure bracket is level. For a person 5'8" – 6'2" tall, we recommend 54½" from finished floor height². Before drilling holes for bracket, make certain ShowerSpa will rest flat against finished wall surface at desired mounting height with supply lines connected.
4. Drill ¼" holes through wall surface using a masonry tile bit. Drill slowly through wall surface to avoid cracking and chipping. Insert anchor and securely screw bracket to wall. Before connecting hot and cold supply lines, mount ShowerSpa on wall, checking the height, and making sure ShowerSpa feels secure.
5. Connect hot and cold water supply lines to male threaded pipe, do not over-tighten. Before mounting ShowerSpa, check fittings to make sure they are secure. Turn on water and check for leaks. When fittings are leak-free mount ShowerSpa on wall.
6. **Optional:** Seal around body of ShowerSpa with a bead of silicone. **DO NOT SEAL BOTTOM.**

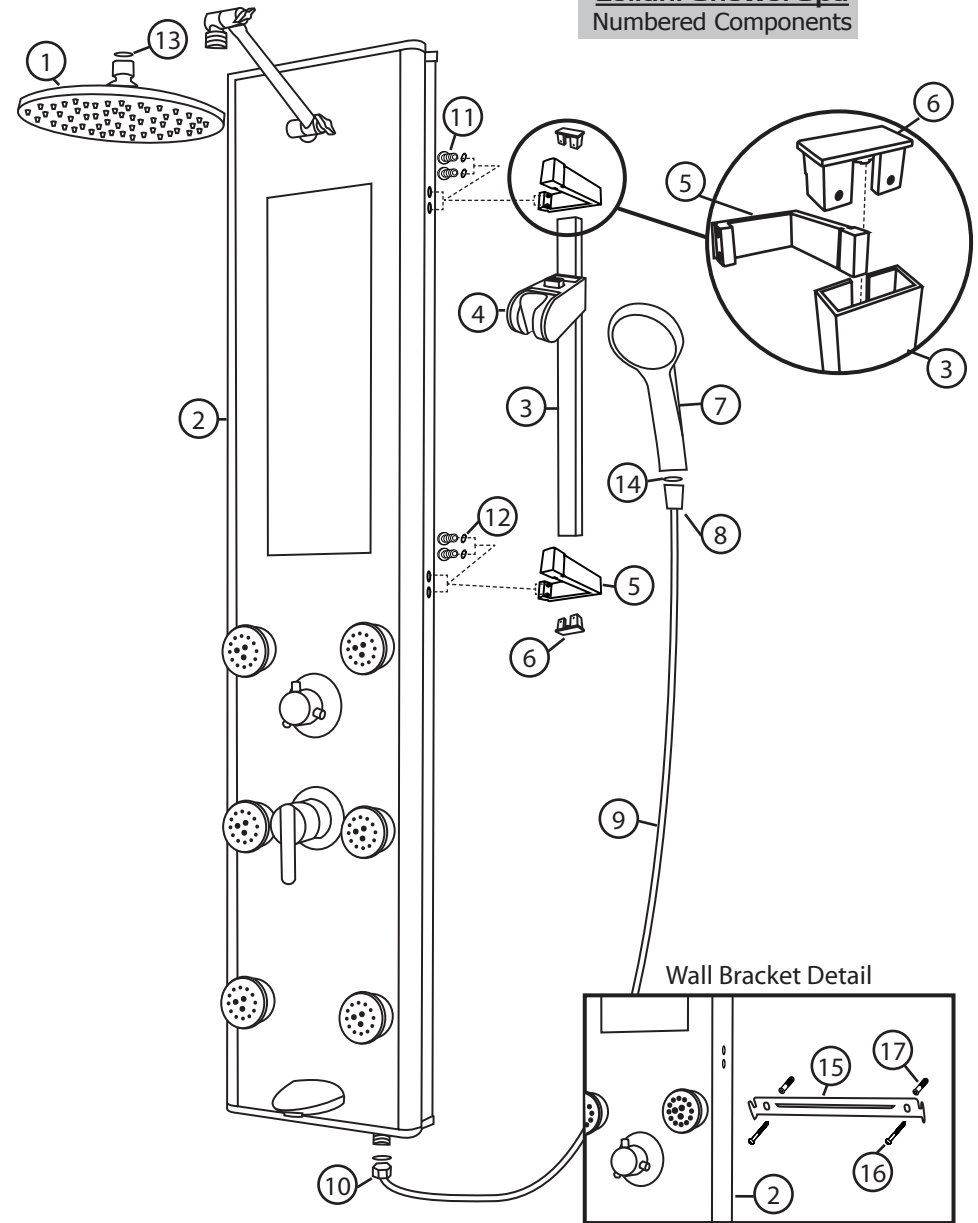
¹ The desired mounting height of ShowerSpa determines height of ½" stub-outs. The stub-outs must be located at a height allowing supply lines to be connected and body of ShowerSpa to rest flat against finished wall.

² This height may vary depending on several factors (i.e. location of supply lines, interference from ShowerSpa plumbing, personal preference, etc.)

Retrofitting An Existing Shower:

Note: In a re-model in which you are **not** replacing the finished wall surface (tile, or backing material) it is advisable to purchase a PULSE ShowerSpa model that covers the location of existing valve assembly- either single handle or two-handle type. If your PULSE ShowerSpa model does not cover this area, you will need to either choose another PULSE ShowerSpa model that does or make necessary repairs with appropriate materials (i.e. wallboard, tile, fiberglass, etc).

1. **TURN OFF WATER SUPPLY TO SHOWER.** (Note: Typically there is a gate valve where water main enters the house. Turning the water valve off at hot water tank does not turn off cold water supply line.)
2. Make certain water is completely turned off to both hot & cold supply lines of Shower. (Turn shower valve on, both hot and cold, to verify water supply is **OFF**.) Open a sink faucet in the bathroom in which you are installing ShowerSpa to relieve any pressure and help adequately drain shower supply lines.



Parts Legend

1. Shower Head.....	Qty 1	10. Hexagon Nut End of Hose.....	
2. ShowerSpa.....	Qty 1	11. Machine Screw.....	Qty 4
3. Slide Bar.....	Qty 1	12. Lock Washer.....	Qty 4
4. Hand Shower Holder.....	Qty 1	13. Rubber Washer.....	Qty 1
5. Slide Bar Bracket.....	Qty 2	14. Hose Washer.....	Qty 2
6. Slide Bar Cap.....	Qty 2	15. ShowerSpa Wall Bracket.....	Qty 1
7. Hand Shower.....	Qty 1	16. Coarse Thread Screw.....	Qty 2
8. Tapered End of Hose.....		17. Nylon Wall Anchor.....	Qty 2
9. Hand Shower Hose.....	Qty 1		