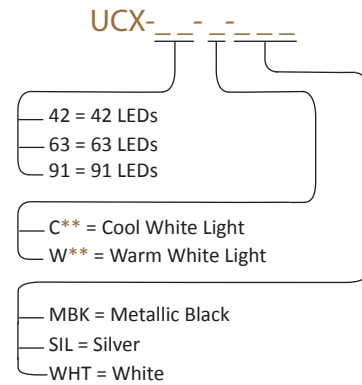


Specifications **Model number**

	UCX-42	UCX-63	UCX-91
Model:	UCX-42	UCX-63	UCX-91
Number of LEDs:	42	63	91
Luminaire Energy Consumption:	8.5 W	13.5 W	18.5 W
System Energy Consumption ¹ :	11W	16 W	23 W
LED Rated Lifespan:	50,000 hours		
Color Temperature (Typical) – Cool:	4,500 K		
Color Temperature (Typical) – Warm:	3,500 K		
Color Rendering Index (CRI):	85		
Dimmer:	Built-in touchstrip		
Brightness Adjustability:	Multiple dimming levels		
Standard Color Finish ² :	Metallic Black, Silver, White		
Material:	Aluminum/Plastic		
Mounting:	Magnetic/Screw Mounts (Included)		
Maximum Chained Units:	4 units	3 units	2 units
Maximum Brightness ³ (18" above desk):	80 fc	119 fc	143 fc
Length of Daisy Chain Cord:	1" (male-to-male connector), 12", 30"		
Transformer:	24 or 48 watts		

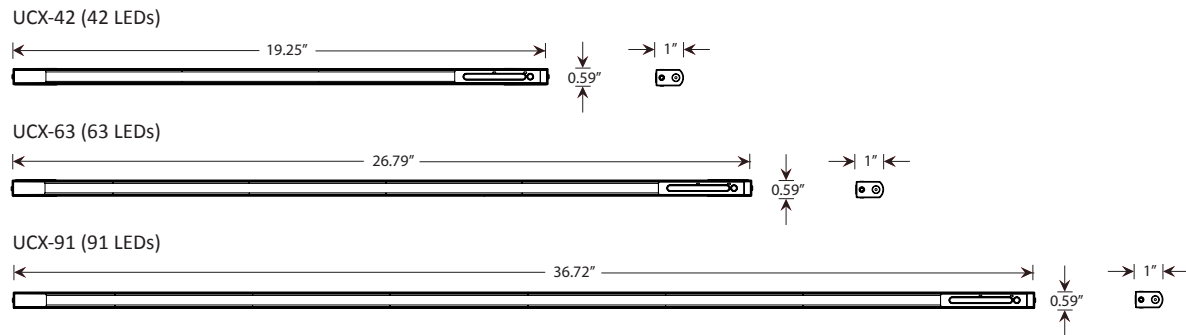


**For diffused light, use "CD" for cool diffused light and "WD" for warm diffused light.

NOTE:
For power supply with CHICAGO CODE OPTION, add "-CHGO" at the end of the model number.

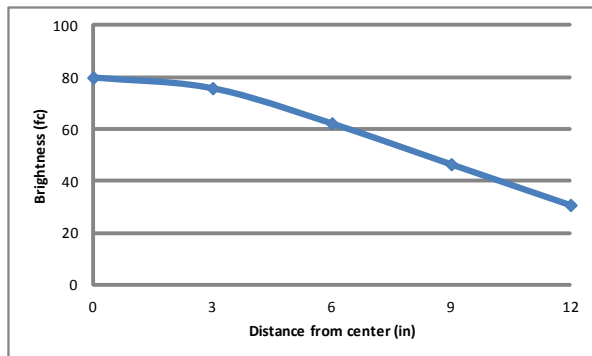
¹ Total energy consumption for luminaire & transformer.
² Custom colors are available at additional cost. Contact Konzept or your sales representative for a quote.
³ Maximum brightness on diffused light models.

Dimensions



Photometrics **Accessories** (*optional)

Light source placed at 18" away from worksurface



(Shown: photometrics of diffused UCX-42)

- Occupancy sensor
(P7-03-OCC01A)
 - 30" daisy chain cord
(P6-10-D3096A-1)
 - male to male connector
(P6-10-D0096A-1)
 - 12" daisy chain cord
(P6-10-D1296A-1)
 - Standard 24W power supply
(P9-240100A-2-US)
 - Large 48W power supply
(P9-240200A-2-US)
- Large 48W power supply – with CHICAGO CODE OPTION (P9-240200A-2-US-CHGO)**

LEED credit eligibility **Environmental considerations**

Energy & Atmosphere (EA)
Credit 1.1: Optimize Energy Performance
 LED lighting to reduce energy consumption.
 (Potential points: 3)

Innovation In Design (ID)
Credit 1.1- 1.4: Innovation in Design
 UCX™ allows effortless full control with the use of daisy-chain(s) to chain multiple units to run on a single outlet while the chained units can be individually controlled or synced. The light also features a built-in touchstrip for touch sensitive dimming.
 (Potential points: 4)

Aluminum housing is fully recyclable
 All color finishes use water-based paint
 All cardboard used in packaging is FSC certified
 LEDs do not contain mercury